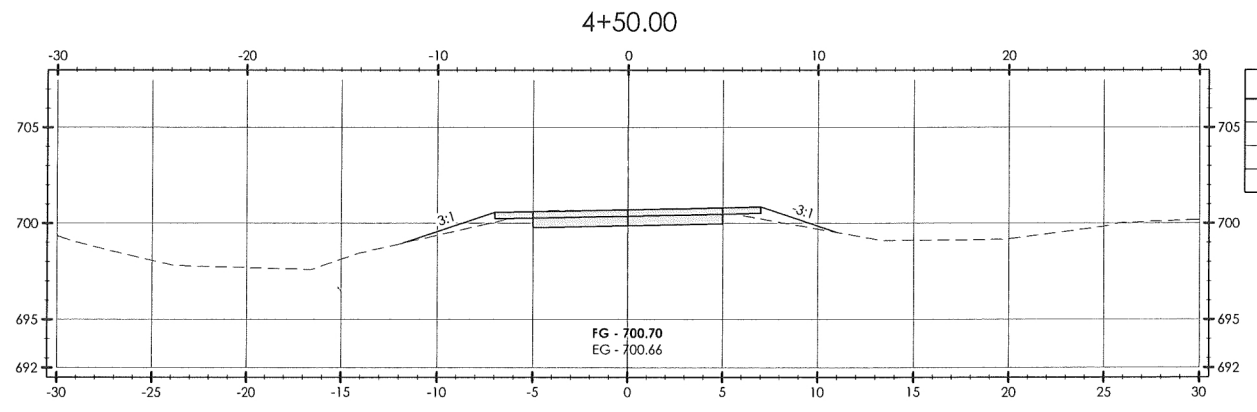
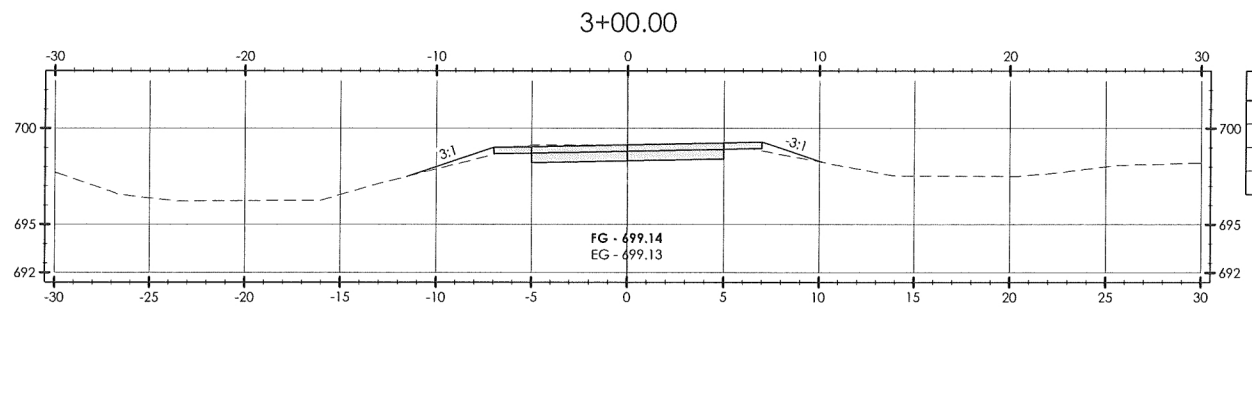
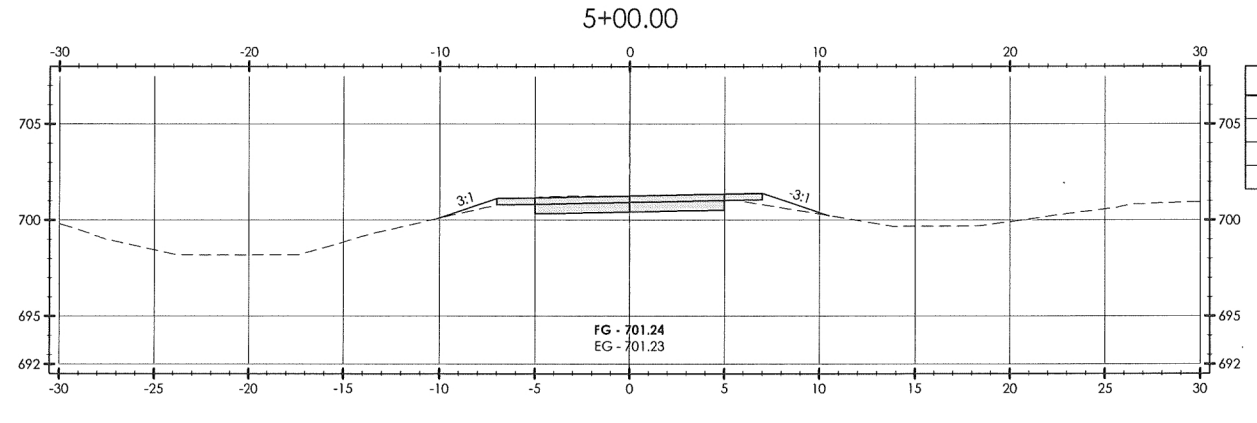
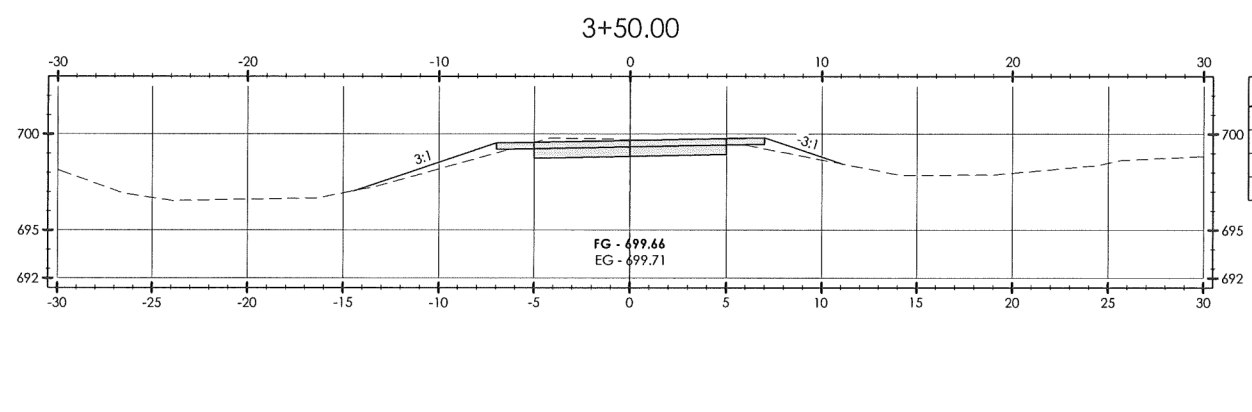
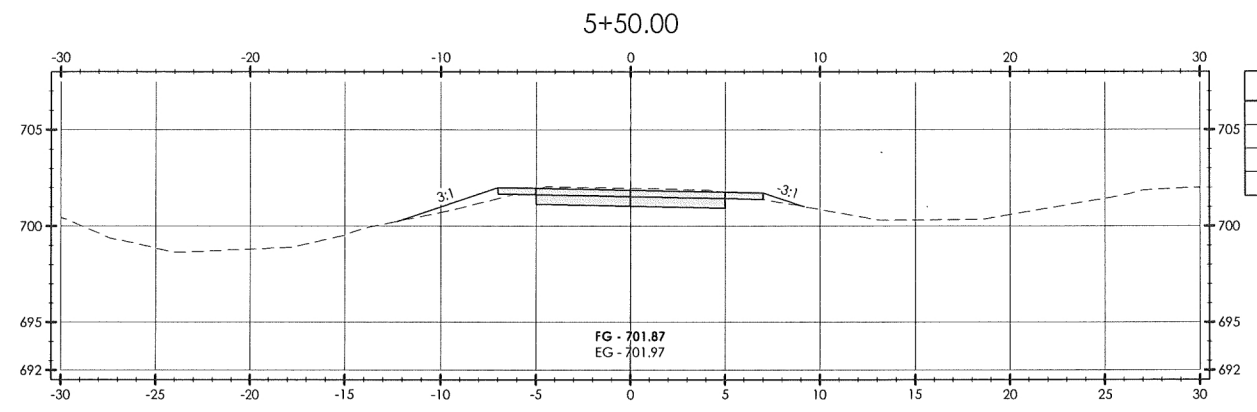
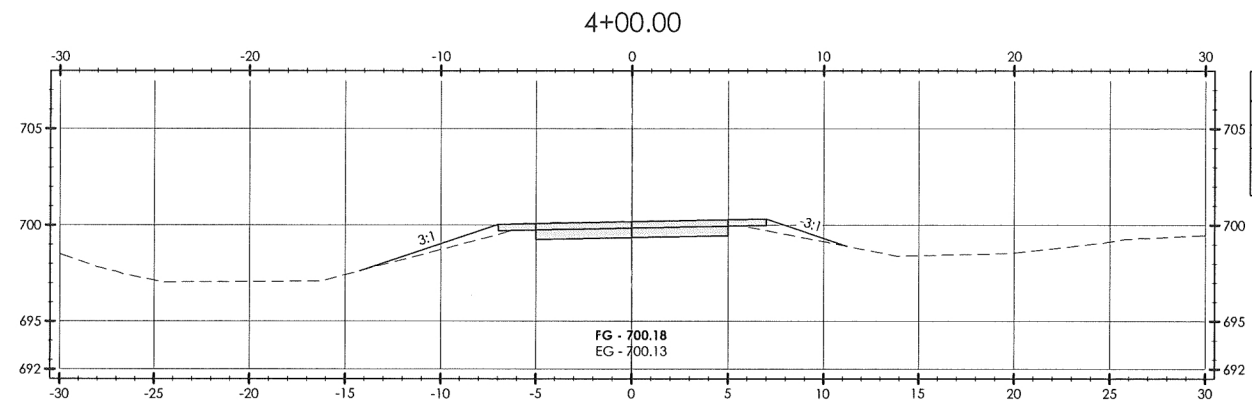
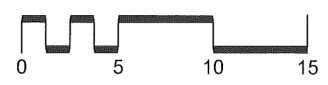


OKLAHOMA DEPARTMENT OF TRANSPORTATION					
FED. ROAD DIST. NO.	STATE	PROJ. NO.	FISCAL YEAR	SHEET NO.	TOTAL SHEETS
6	OKLA.	28844(04)			
DESCRIPTION			REVISIONS	DATE	



F:\582 Sand Springs Park Road Trail\Final\Civil 3D - Base Files\ParkRoadTrail\BASE1-Final-R1.dwg, 6/12/2017 2:56:45 PM



City of Sand Springs - Park Road Trail		PREPARED BY: LANDPLAN CONSULTANTS		Tulsa County	
Design	JM	7/16			
Drawn	JM/BB	8/16			
Checked	KF/JM	6/17			
Approved					
Squad	LandPlan				
STATE JOB NO. 28844(04)			Sheet No. 45 of 62		

CROSS SECTIONS SHEET (2)